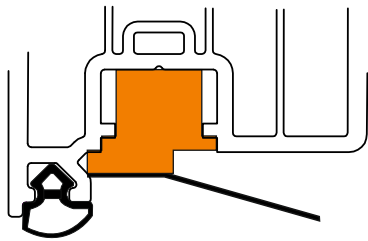
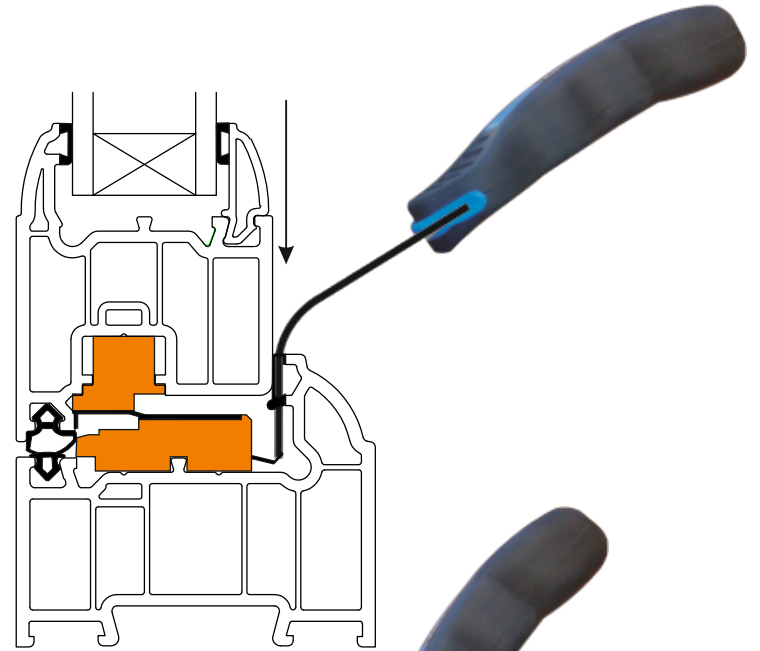
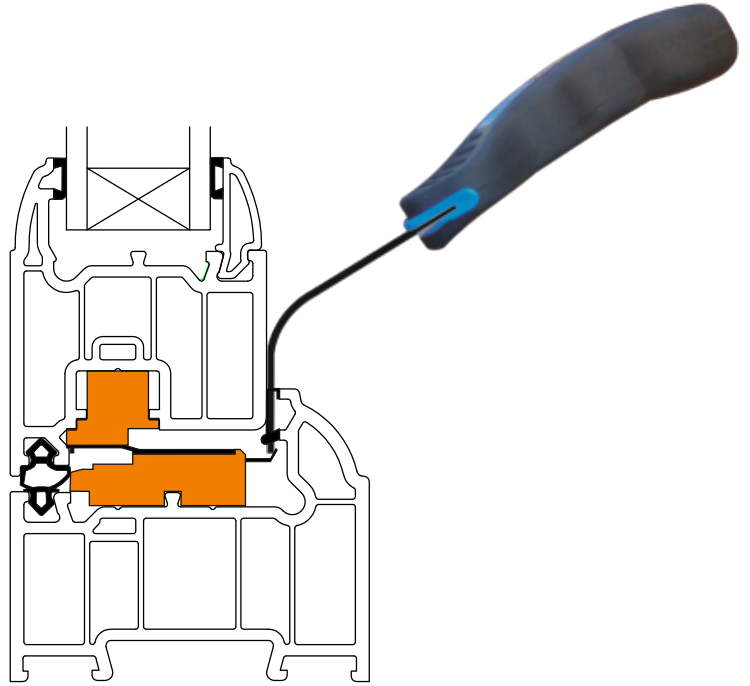
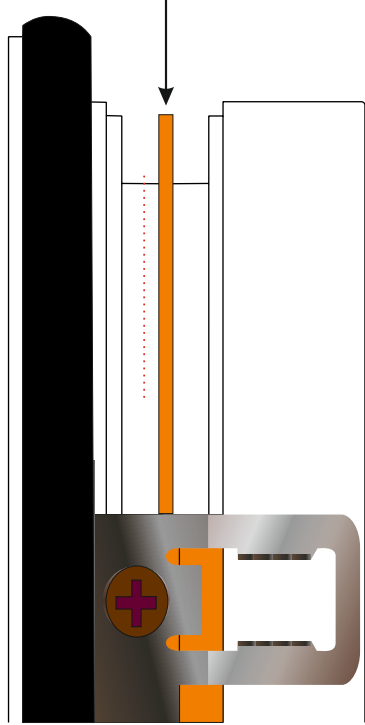
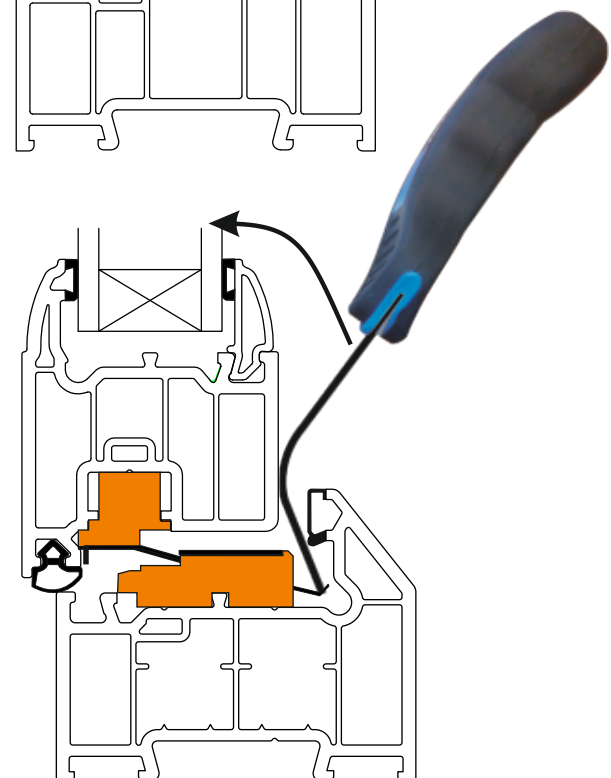
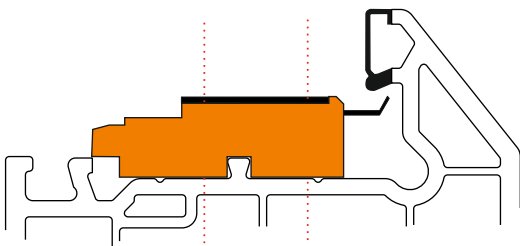


Fit Sash Plate dowel  
to this edge



Screw centres



Drawings are not to scale

Reinforcing and fixing screws  
have been omitted for clarity